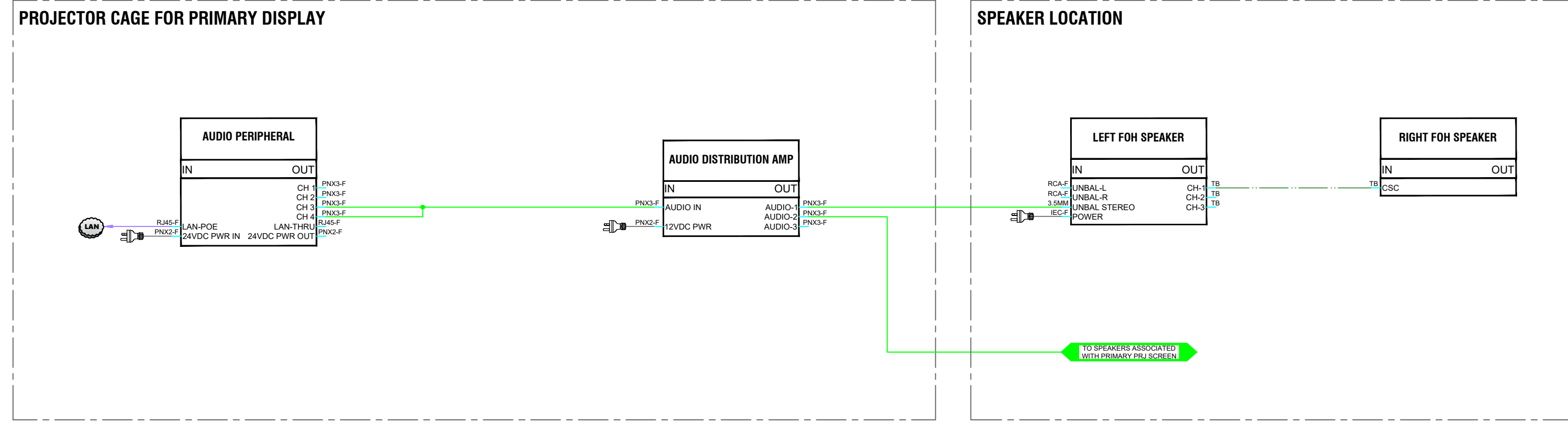
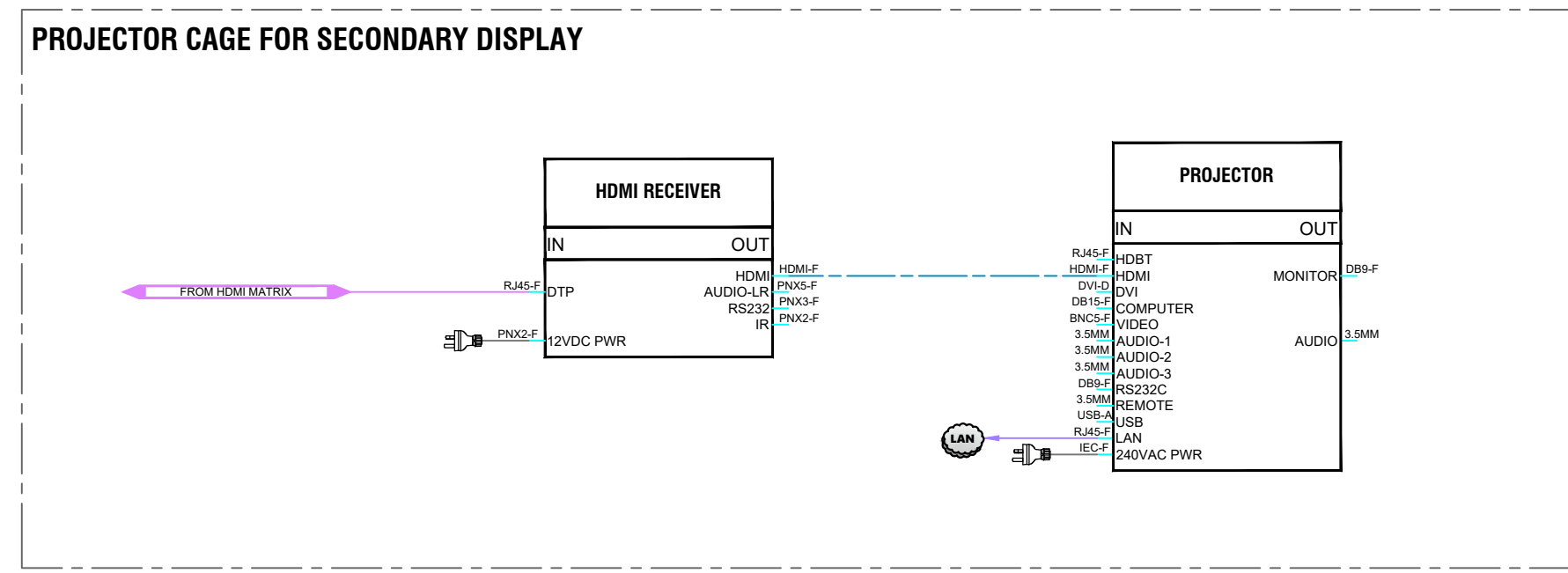


② ADDITIONAL STUDENT POD (DISPLAY)  
GPO = 3 DATA = 2 SCALE: NTS



② ADDITIONAL SPEAKERS  
GPO = 3 DATA = 1 SCALE: NTS



③ ADDITIONAL PROJECTOR  
GPO = 2 DATA = 1 SCALE: NTS

**NOTES - FLAT-FLOOR TEACHING SPACE BUILDING BLOCKS ROOM SPECIFIC**

1. Refer general notes on AV-S-00  
2. Final model(s) yet to be determined - Check RMIT ITS AV Standards 3.2

ANY DEVIATION FROM THE ABOVE AV STANDARD MUST BE APPROVED BY RMIT AV

**RMIT UNIVERSITY**

DRAWING DESCRIPTION: AV SCHEMATIC BUILDING BLOCKS - COLLABORATIVE LEARNING

PROJECT NAME: RMIT AV STANDARDS

DESIGNED	DRAWN	CHECKED	PROJECT REF NO.	DOCUMENT REF NO.	REV
JC	SFI	BK	AV STANDARD	AV-S-11	A

DATE: 09 DEC 22  
ISSUED BY: BK  
PURPOSE OF ISSUE: 12 OF 12