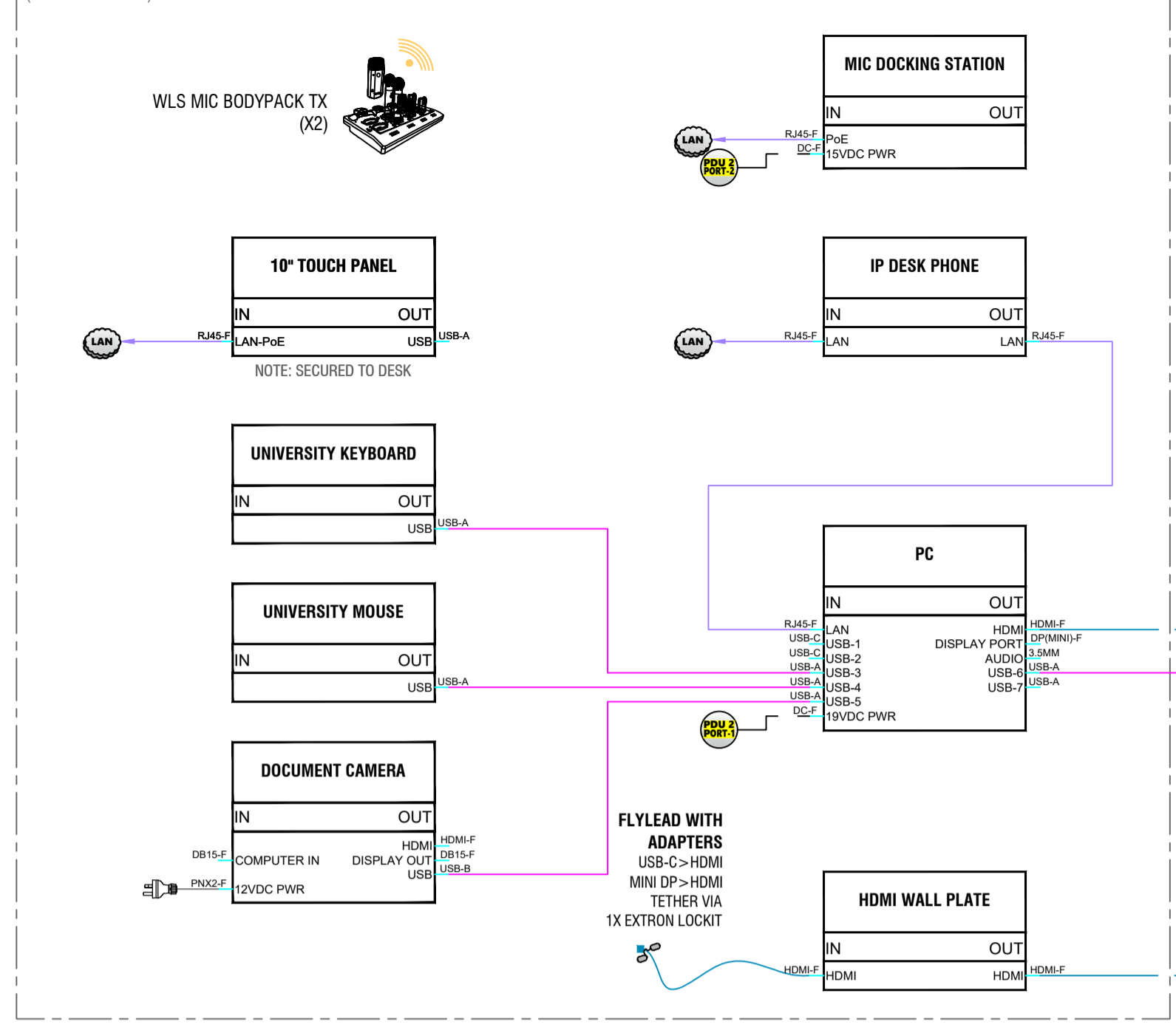
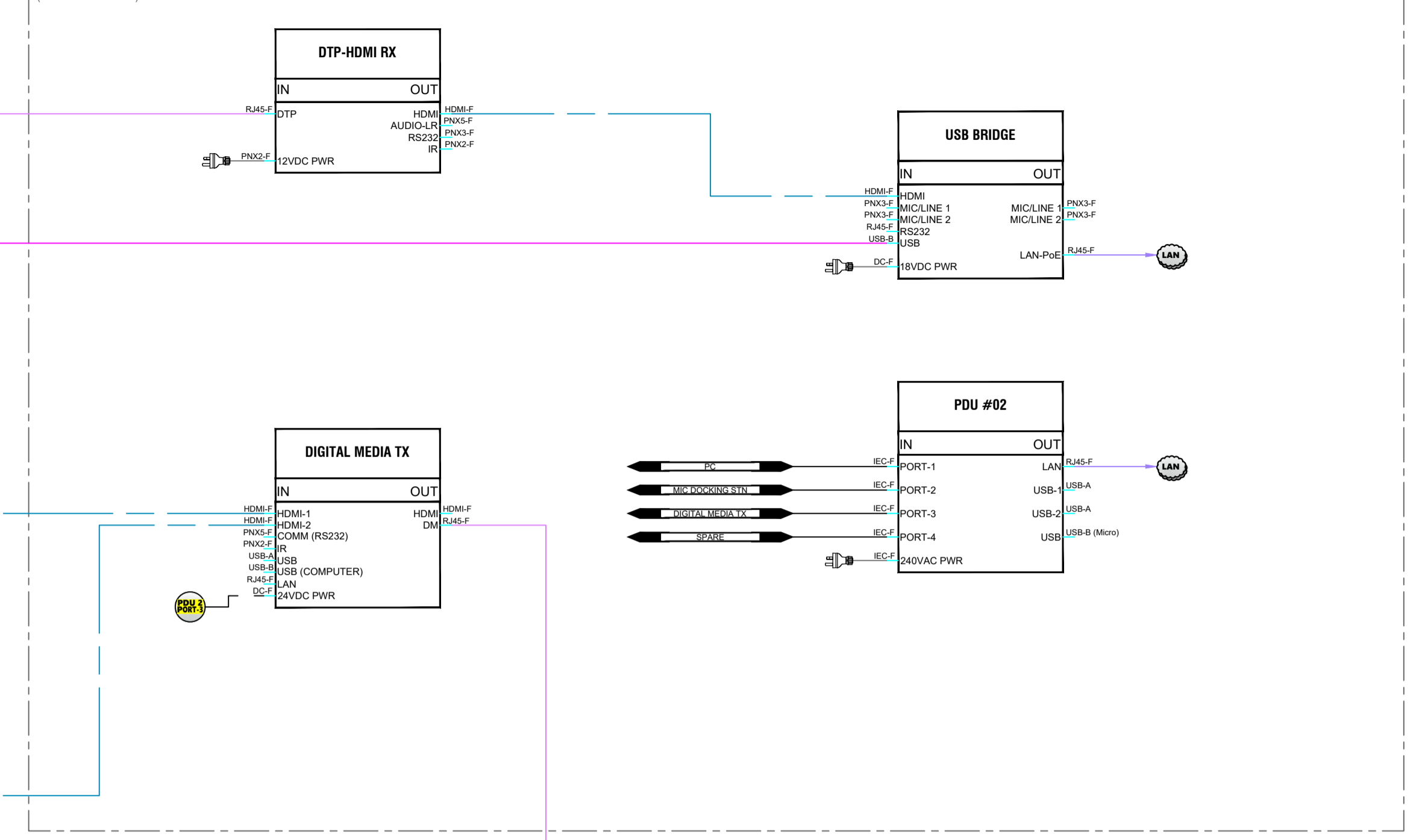


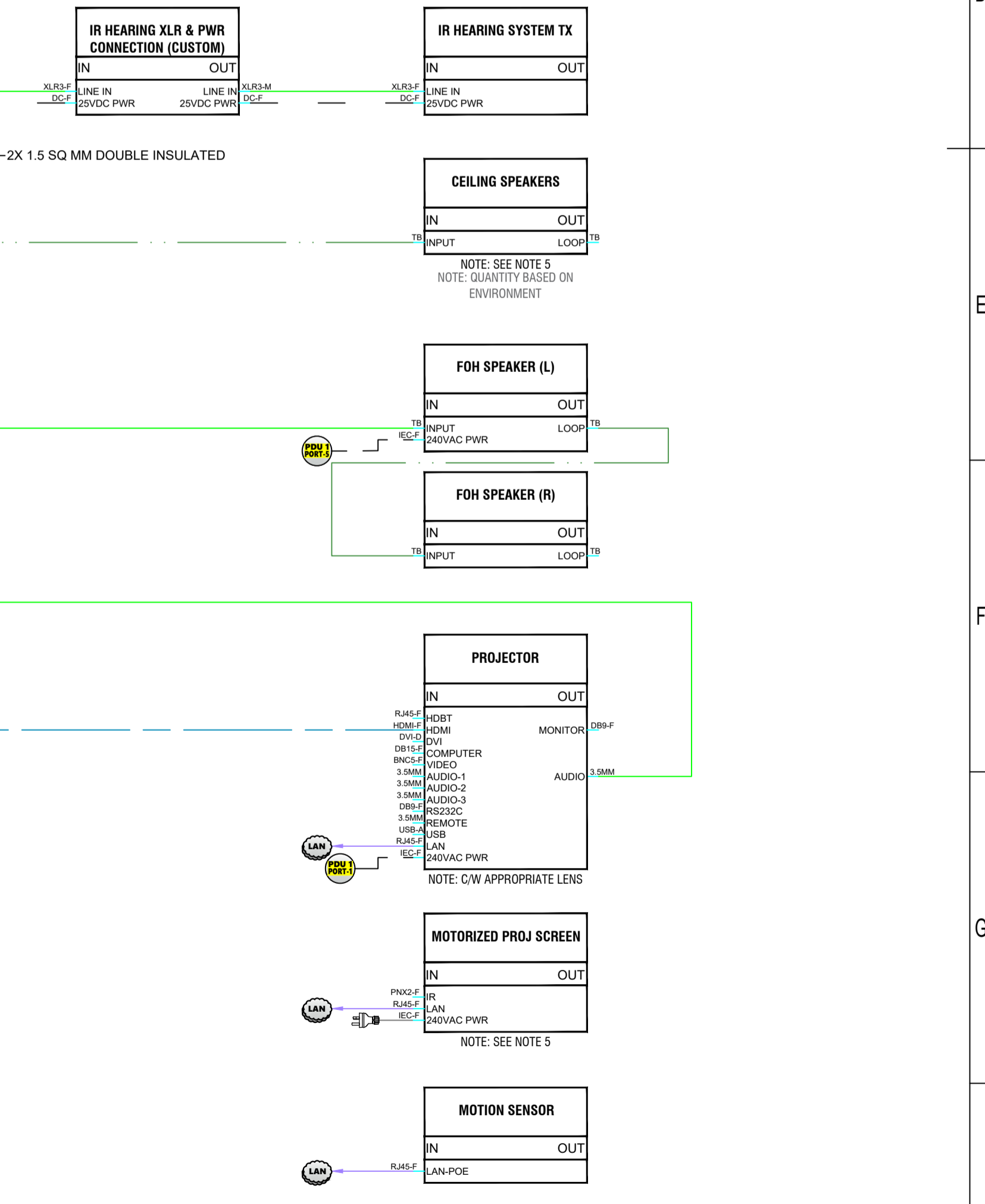
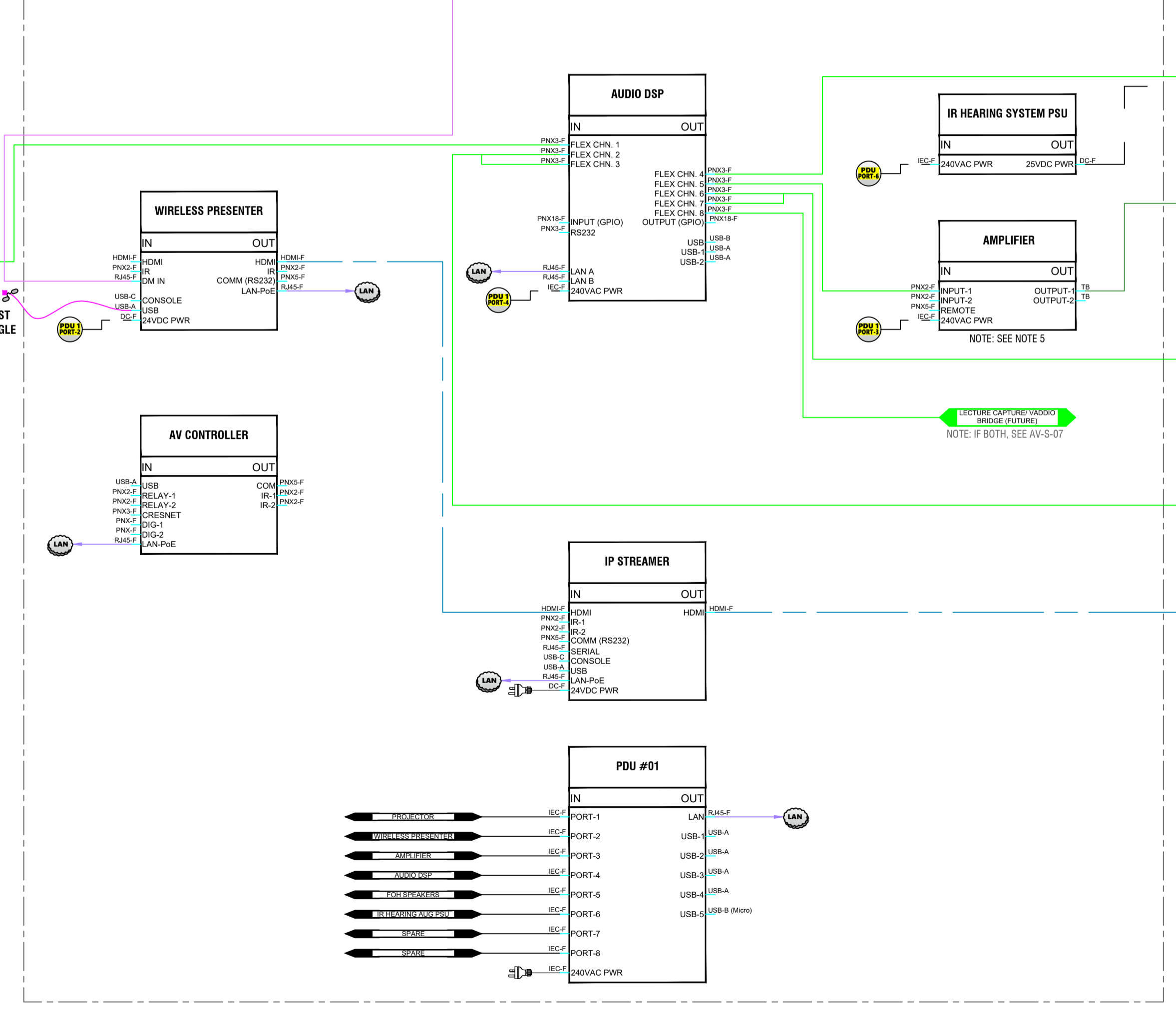
ON DESK
(REFER DRG A-D-02)



UNDER DESK
(REFER DRG A-D-02)



WITHIN PROJECTOR CAGE



1 FLAT-FLOOR TEACHING (PROJECTION)
GPO = 8 DATA = 16 SCALE: NTS

NOTES - FLAT-FLOOR TEACHING SPACE SPECIFIC
 1. Refer general notes on AV-S-00
 2. Refer AV-S-07 if there is a requirement for supplementary displays
 3. Optional if remote learning is required
 4. Optional if room linking is required
 5. Optional - Depending on space

ANY DEVIATION FROM THE ABOVE AV STANDARD MUST BE APPROVED BY RMIT AV

		DRAWING DESCRIPTION AV SCHEMATIC FLAT-FLOOR TEACHING (PROJECTION)	
PROJECT NAME RMIT AV STANDARDS		PROJECT REF NO. AV-S-08	
DESIGNED JC	DRAWN RS	CHECKED BK	PROJECT REF NO. AV-S-08
DATE 09 OF 12	ISSUED BY JC	DOCUMENT REF NO. AV-S-08	REV A